

产品特性/Product Features

- IP6K9K
- 80A 85°C
- 12-750VDC
- 1000MΩ (1000VDC) , IEC 60664-1
-

触点参数 / Contact parameters

		1a	
		≤1m (at 20A)	
		80A	
		2×10 ⁻⁵	
		450V型	750V型
		1000VDC	1000VDC
		800A(320VDC)1	800A(320VDC)1
		36kW	60kW
1)		1×10 ⁻⁴ 450VDC, 80A	1×10 ⁻⁴ 750VDC, 80A
		7.5×10 ⁻⁴ 450VDC, 80A	7.5×10 ⁻⁴ 450VDC, 80A
2)		80A:	
		120A:30min	
		160A:1min	
		300A:10s	

1) 23°C, 0.6s:5.4s.

2) 85°C, 20 mm², " "

性能参数 / Performance parameters	
	1000MΩ(1000VDC)
	3000VAC 1min
	3000VAC 1min
()	≤30ms
()	≤10ms
	196m/s ²
	490m/s ²
	10Hz ~ 500Hz 49m/s ²
	5% ~ 85%RH
	-40°C ~ 85°C
	5M
	225g

线圈参数 / Coil parameters			
VDC	VDC	VDC	W
12	9	1.2	5.5W
24	≤18	2.4	6W

-40°C ~ 85°C)

订货标记示例

HFEVC - H Y 080 / 750 - 12 - C N SM -

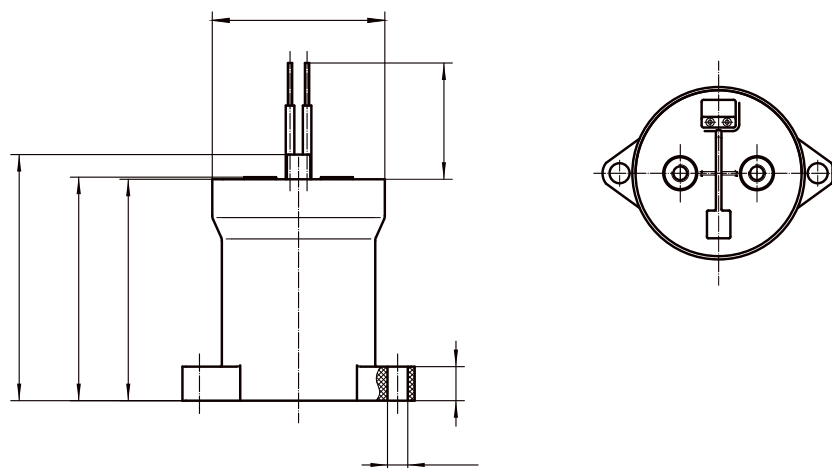
1 2 3 4 5 6 7 8 9 10

- 1 HFEVC:
- 2 T: H:
- 3 F: Y:
- 4 080: 80A
- 5 DC Blank: 450V 750: 750V
- 6 12: DC12V 24: DC24V PWM: 9V~24V
- 7 C: L:
- 8 Blank: N:
- 9 Blank: SM:
- 10

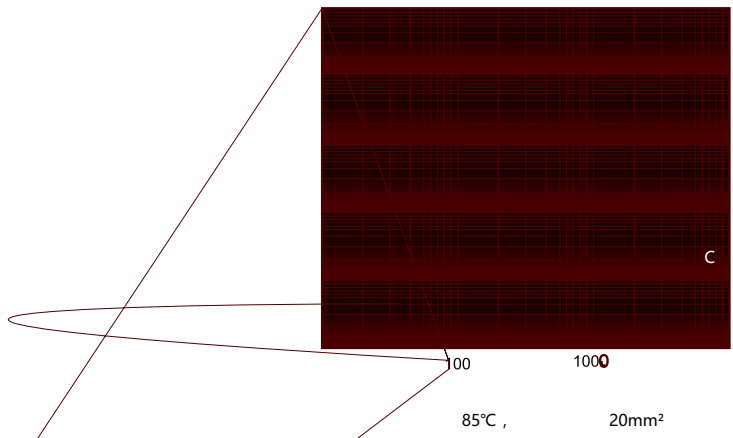
1)

外形图、安装孔尺寸 / Outline drawing, mounting hole size

/Unit mm



性能曲线图 Performance graph



⚠ 使用注意事项 Precautions for use

1

M5	3N·m ~ 4N·m	Ø5.0~Ø5.5mm	3mm	M4螺钉	3N·m~4N·m
M8	10N·m ~ 12N·m	Ø5.0~Ø5.5mm	3mm	M4螺钉	3N·m~4N·m

2

20mm²

3

3mm